

# TOTO®

# SW4736(AT40)/SW4734(AT40)

## FEATURES

- High-tech electronic bidet seat
- Touchless auto open/close lid
- EWATER+® auto-cleans wand and bowl after every use
- PREMIST® automatically mists the bowl before each use
- Self-cleaning wand cleans itself inside and out before and after every use
- CLEAN RESIN® keeps wand and seat cleaner, more hygienic, and effortless to maintain
- Gentle aerated, warm water, front and rear spray with oscillating and pulsating features
- Adjustable spray position, water temperature, and water pressure
- Instantaneous water heater for continuous warm water and energy savings
- Warm air dryer with five variable temperature settings
- Automatic air deodorizer
- Multifunction remote control with 4-users personalized memory settings
- Heated seat with temperature control
- Seamless seat design eliminates the gap where dirt collects
- SoftClose® seat
- Docking station for easy cleaning and installation
- Night light illuminates the side and the inside of the bowl
- Auto energy saver mode adjusts the seat temperature when inactive
- Compatible with most elongated toilets
- Auto Flush capable with optional auto flush kit when installed on select TOTO toilets only

## MODELS

- SW4736AT40#01 - Contemporary Cotton
- SW4736#12 - Contemporary Sedona Beige
- SW4734AT40#01 - Classic Cotton
- SW4734#12 - Classic Sedona Beige

## COLORS/FINISHES

- #01 Cotton
- #12 Sedona Beige

## PRODUCT SPECIFICATION

Seat shall have gentle aerated, warm water, and dual action spray with cycling movement. Seat shall have adjustable water temperature and volume. Seat shall have warm air drying with five variable temperature settings. Seat shall have automatic air deodorizer. Seat shall include wireless remote control. Seat shall be solid plastic with closed front seat and cover. Seat shall include power cord, and water supply hoses. EWATER+ cleans the bowl and wand. Seat shall be model # SW4736\_\_\_\_\_ or SW4734\_\_\_\_\_.

## WASHLET® S7A ELONGATED



WASHLET®



EWATER+



PREMIST



Auto Flush

## CODES/STANDARDS

- Meets and exceeds ASME A112.4.2, ASME A112.18.1/CSA B125.1, UL 1431, CSA C22.2 #68
- Certifications: IAPMO(cUPC), State of Massachusetts, City of Los Angeles and others
- Code Compliance: UPC, IPC, NSPC, NPC Canada, and others
- Complies with CA Prop 65 warning requirements



# SW4736(AT40)/SW4734(AT40)

## WASHLET® S7A ELONGATED

### SPECIFICATIONS

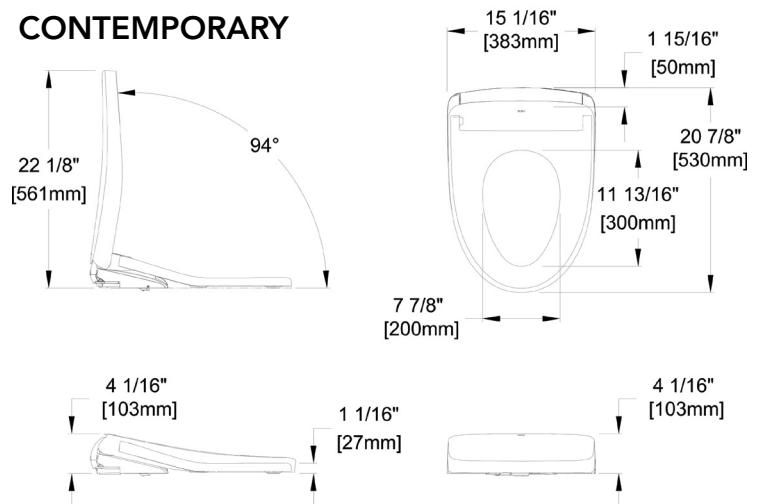
<b>Power Rating</b>	AC 120 V, 60 Hz
<b>Power Consumption</b>	1290 W
<b>Max Power Consumption</b>	1446 W
<b>Power Cord Length</b>	3.9 ft (1.2m)
<b>Spray Volume</b>	Rear Cleansing: 0.08 – 0.11 gal/min Rear Soft Cleansing: 0.08 – 0.11 gal/min Front Cleansing: 0.08 – 0.11 gal/min Wide Front Cleansing: 0.09 – 0.11 gal/min
<b>Spray Features</b>	Adjustable Surface Temp: 86°F - 104°F (30°C - 40°C) Safety Device: Temperature Fuse
<b>Warm Air Dryer Features</b>	Adjustable Air Temp: 95°F - 140°F (35°C - 60°C) Airflow Volume: 8.83 ft <sup>3</sup> /min Safety Device: Temperature Fuse
<b>Heated Seat Features</b>	Adjustable Surface Temp: 82°F - 97°F (28°C - 36°C) Safety Device: Temperature Fuse
<b>Water Supply Pressure</b>	Minimum: 7.25 PSI (Flowing) Maximum: 108.75 PSI (Static)
<b>Ambient Temp.</b>	32°F - 104°F (0°C - 40°C)
<b>Warranty</b>	Two Year Limited (Residential) One Year Limited (Commercial)
<b>Shipping Weight</b>	SW4734(AT40) / SW4736(AT40): 15 lbs
<b>Shipping Dimensions</b>	SW4734(AT40) / SW4736(AT40): 23-3/8" L x 17-5/8" W x 6-1/4" H

### INSTALLATION NOTES

- For use with potable water only. Do not use with recycled water.
- It is highly recommended to use a surge protector to prevent damage in the event of a power surge.
- The following factors may affect IR signal strength and top unit operation: product and remote control location, room size, shape, construction materials, and degree of darkness (color) of ceiling and walls.
- Compatible with TOTO Washlet+ and Non-Washlet+ toilets, as well as most models from other manufacturers

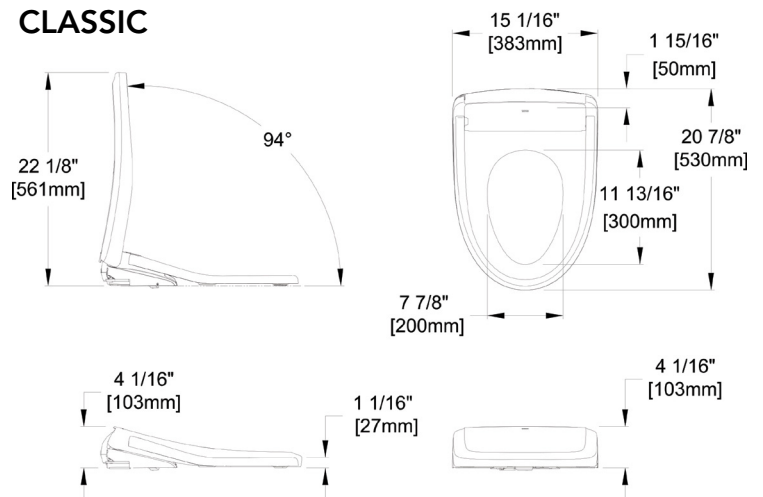
### DIMENSIONS

#### CONTEMPORARY



GFCI outlet of 120V, 15amps.  
Power cord is 4' long with 3 prongs.

#### CLASSIC



GFCI outlet of 120V, 15amps.  
Power cord is 4' long with 3 prongs.

**TOTO®**

*These dimensions and specifications are subject to change without notice*